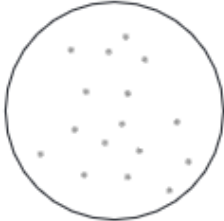


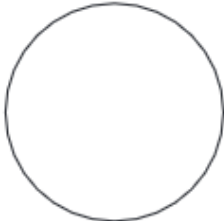




| | | |
|---|--|--|
|  1 whole = 16 |  $\frac{1}{2} =$ <input style="width: 40px; height: 20px;" type="text"/> |  $\frac{1}{4} =$ <input style="width: 40px; height: 20px;" type="text"/> |
|---|--|--|

| | | |
|---|--|--|
|  1 whole = 20 |  $\frac{1}{2} =$ <input style="width: 40px; height: 20px;" type="text"/> |  $\frac{1}{4} =$ <input style="width: 40px; height: 20px;" type="text"/> |
|---|--|--|

2. Find a half and a quarter of these numbers by halving and halving again:

| | | |
|------------------|-----------------|-----------------|
| a. 1 whole = 28 | $\frac{1}{2} =$ | $\frac{1}{4} =$ |
| b. 1 whole = 32 | $\frac{1}{2} =$ | $\frac{1}{4} =$ |
| c. 1 whole = 24 | $\frac{1}{2} =$ | $\frac{1}{4} =$ |
| d. 1 whole = 40 | $\frac{1}{2} =$ | $\frac{1}{4} =$ |
| e. 1 whole = 100 | $\frac{1}{2} =$ | $\frac{1}{4} =$ |